

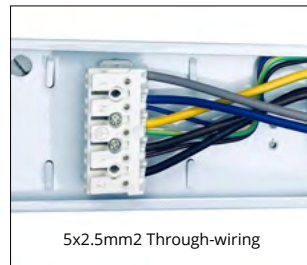
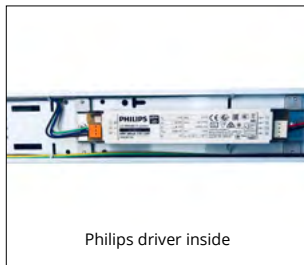
## LED WATERPROOF ZEUS IP66 TW



### KEY FEATURES

- Professional IP66 Waterproof fixture with robust design
- Premium Philips LED Driver
- Through wiring 5x2.5mm<sup>2</sup> included
- Included stainless steel clips
- 4000K Cool White
- Payback time 1 to 3 years
- up to 140 lumen per watt
- 5-year Pragmalux Warranty
- Up to 7 years Pragmalux warranty by project registration

### APPLICATIONS



### OPTIONS



### SPECIFICATIONS

Item code	Description	W	lm	lm/W	Kelvin	CRI	Input current	Lifetime L80B10	Equivalent	Beam angle
4600727	LED Waterproof Zeus IP66 20W 600 4000K Incl. 5x2.5mm TW	20	2,600	130	4,000	≥80	0.1A	76,000	2x18W FL	120°
4600710	LED Waterproof Zeus IP66 20W 1200 4000K Incl. 5x2.5mm TW	20	2,600	130	4,000	≥80	0.1A	76,000	2x18W FL	120°
4600703	LED Waterproof Zeus IP66 35W 1200 4000K Incl. 5x2.5mm TW	35	4,800	137	4,000	≥80	0.17A	76,000	2x36W FL	120°
4600697	LED Waterproof Zeus IP66 35W 1500 4000K Incl. 5x2.5mm TW	35	4,800	137	4,000	≥80	0.17A	76,000	2x36W FL	120°
4600680	LED Waterproof Zeus IP66 52W 1500 4000K Incl. 5x2.5mm TW	52	7,280	140	4,000	≥80	0.25A	76,000	2x58W FL	120°
4600673	LED Waterproof Zeus IP66 62W 1500 4000K Incl. 5x2.5mm TW	62	8,200	137	4,000	≥80	0.3A	76,000	2x80W FL	120°

### TECHNICAL DATA

Electrical data	
Voltage (V)	220-240
Frequency (Hz)	50/60
Power factor (λ)	≥0.9
Operating mode	Integrated LED Driver
Electrical connection	Max 5x2,5 mm <sup>2</sup> wire
Total harmonic distortion	≤ 20 %

Certificates & standards	
Driver certificates	CE/ENEC
Fixture certificates	CE/ENEC
Ingress protection	IP66
Protection class	I
Protection class IK	08
Glow Wire Test ( IEC 695-2-1)	850°C
Photobiological safety group EN62778	RG0

# LED WATERPROOF ZEUS IP66 TW

## Temperatures & operating conditions

Ambient temperature	25°C
Operating temperature	-25 ~ +40°C
Storage temperature	-20 ~ +80°C

## Colors & materials

Color ( Housing)	Grey RAL7035
Material ( Housing)	PC
Material ( Diffuser)	PC

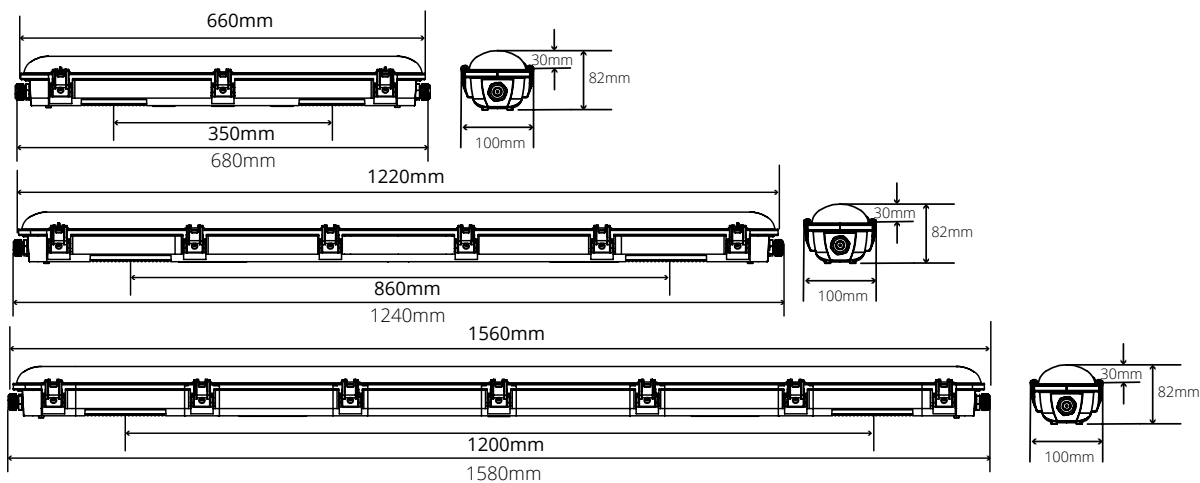
## Capabilities

UGR	≤25
Dimmable	No
Type of connection	Push Terminal, 5-pole
LED Module replacable	No
Installation	Through-wiring Possible

## SPECIFICATIONS DRIVERS

Item code	Description	Driver failure rate at 5,000h	Inrush current Ipeak	Inrush current Twidth	Max. No. of drivers on MCB Type B 10A	Max. No. of drivers on MCB Type B 16A	Max No.of drivers on MCB Type C 10A	Max. No. of drivers on MCB Type C 16A
4600727	LED Waterproof Zeus IP66 20W 600 4000K Incl. 5x2.5mm TW	≤1%	17A	250µs	17	28	29	47
4600710	LED Waterproof Zeus IP66 20W 1200 4000K Incl. 5x2.5mm TW	≤1%	17A	250µs	17	28	29	47
4600703	LED Waterproof Zeus IP66 35W 1200 4000K Incl. 5x2.5mm TW	≤1%	17A	250µs	17	28	29	47
4600697	LED Waterproof Zeus IP66 35W 1500 4000K Incl. 5x2.5mm TW	≤1%	17A	250µs	17	28	29	47
4600680	LED Waterproof Zeus IP66 52W 1500 4000K Incl. 5x2.5mm TW	≤1%	17A	250µs	17	28	29	47
4600673	LED Waterproof Zeus IP66 62W 1500 4000K Incl. 5x2.5mm TW	≤1%	17A	250µs	17	28	29	47

## DIMENSIONS



## PRAGMALUX

All rights reserved. Pragmalux - PDL Lighting Group B.V. retains the right to modify product specifications without any prior notice or obligation and does not assume any liability for any consequences of using this document. Subject to errors and printing errors. Luminous flux tolerance: +/- 10%. Power consumption tolerance: +/- 10%.

Version: October 2019

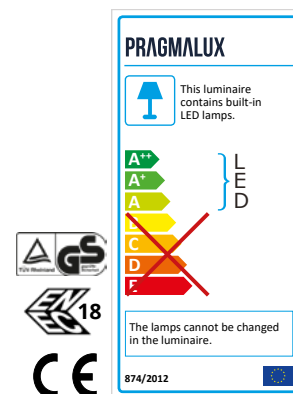


# LED WATERPROOF ZEUS IP66 TW

## PACKAGING INFORMATION

Item code	Description	Single box		Master carton		
		Dimensions(LxWxH) (mm)	Weight(kg)	Units per master carton	Dimensions(LxWxH) (mm)	Weight(kg)
4600727	LED Waterproof Zeus IP66 20W 600 4000K Incl. 5x2.5mm TW	670X104X87	1.05	9	685X280X330	9.85
4600710	LED Waterproof Zeus IP66 20W 1200 4000K Incl. 5x2.5mm TW	1240X104X87	1.7	6	1255X280X225	10.9
4600703	LED Waterproof Zeus IP66 35W 1200 4000K Incl. 5x2.5mm TW	1240X104X87	1.7	6	1255X280X225	10.9
4600697	LED Waterproof Zeus IP66 35W 1500 4000K Incl. 5x2.5mm TW	1580X104X87	2.2	6	1595X280X225	14.05
4600680	LED Waterproof Zeus IP66 52W 1500 4000K Incl. 5x2.5mm TW	1580X104X87	2.2	6	1595X280X225	14.05
4600673	LED Waterproof Zeus IP66 62W 1500 4000K Incl. 5x2.5mm TW	1580X104X87	2.2	6	1595X280X225	14.05

## APPLICATIONS



### PRAGMALUX

All rights reserved. PragmaLux - PDL Lighting Group B.V. retains the right to modify product specifications without any prior notice or obligation and does not assume any liability for any consequences of using this document. Subject to errors and printing errors. Luminous flux tolerance: +/- 10%. Power consumption tolerance: +/- 10%.

Version: October 2019